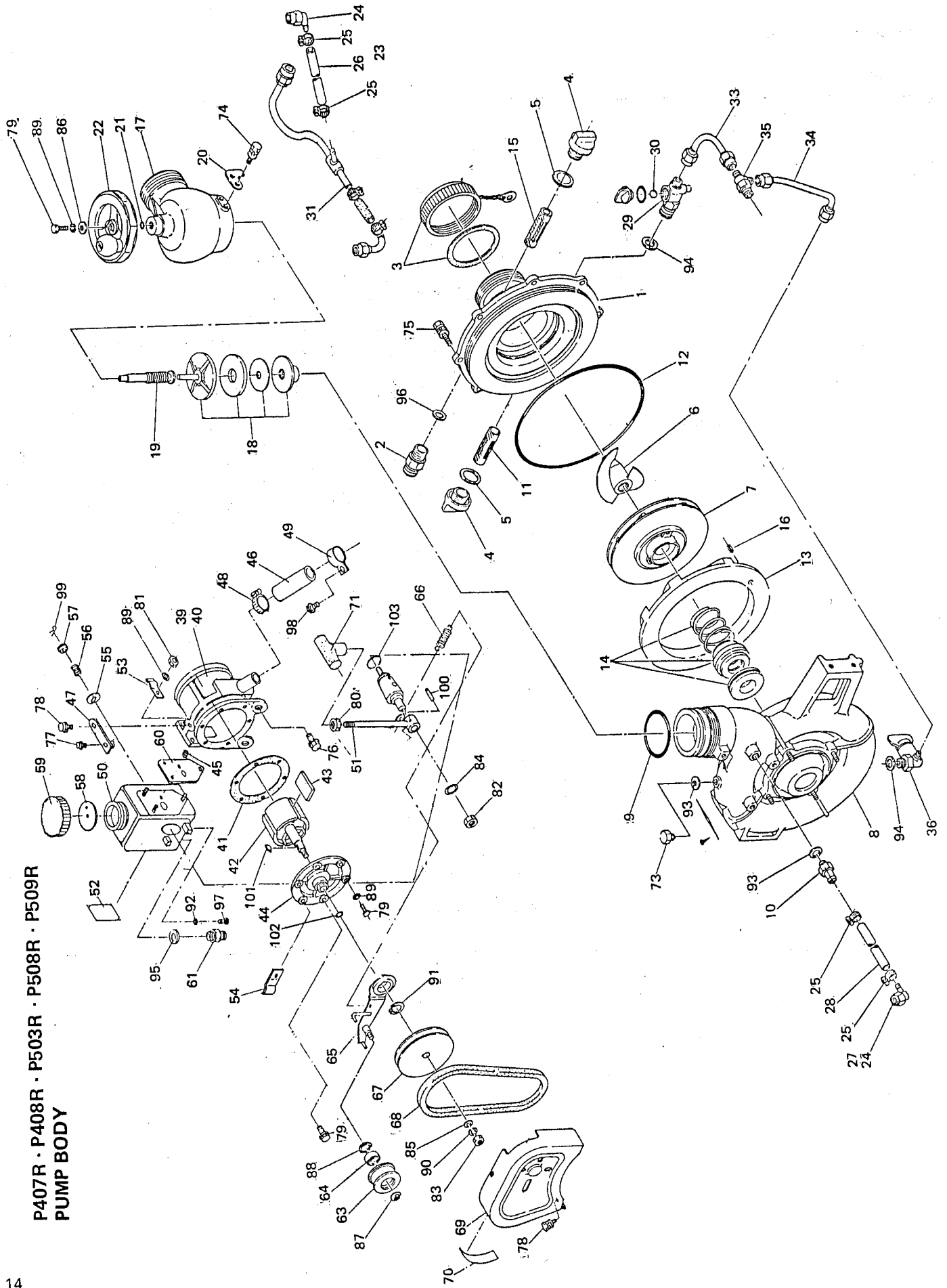


P407R · P408R · P503R · P508R · P509R
PUMP BODY



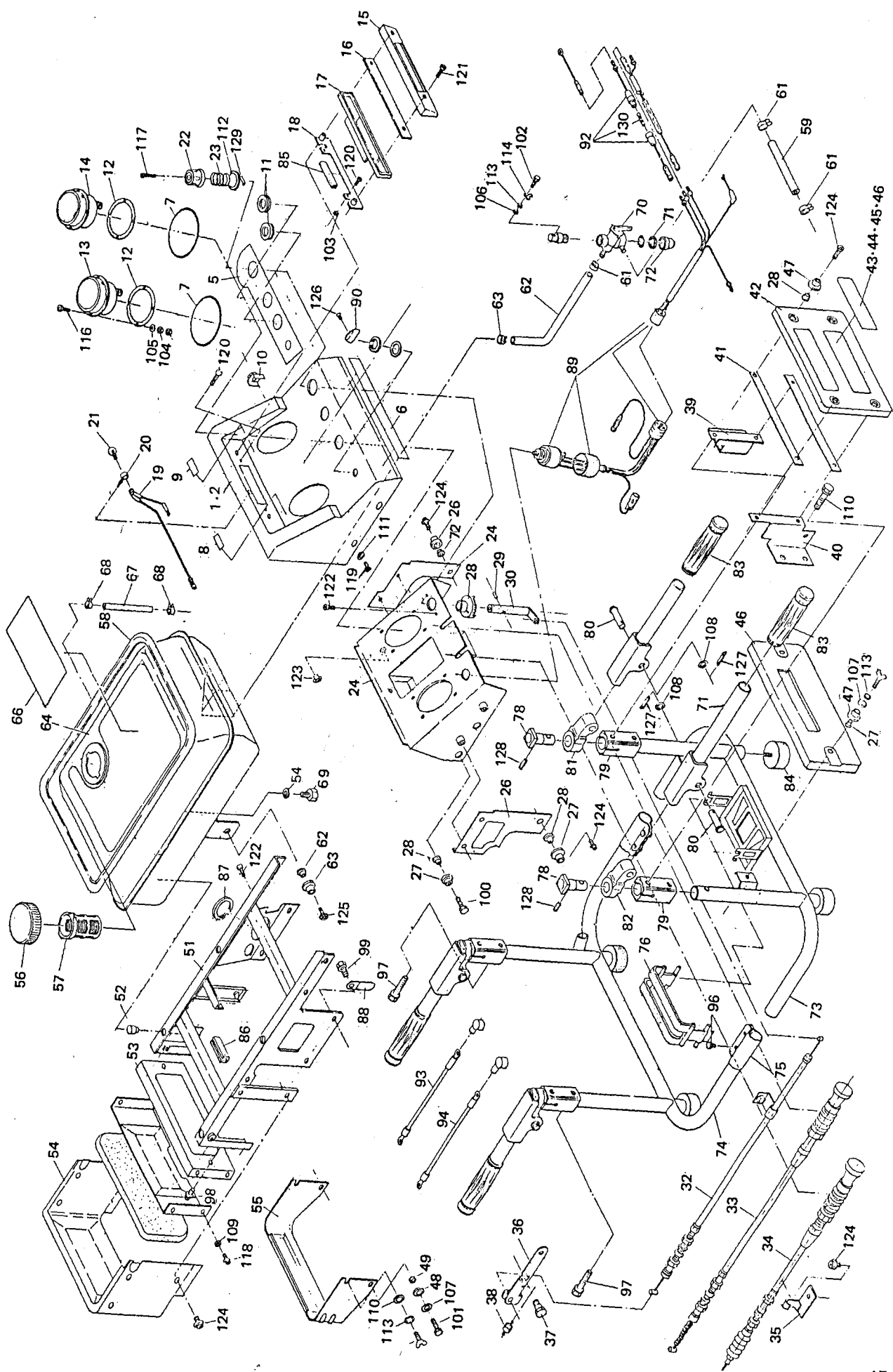
REPLACEMENT PARTS LIST

PUMP BODY

KEY NO.	PART NO.	Q'TY					DESCRIPTION
		P407R	P408R	P503R	P508R	P509R	
1	8421009000	1	1	1	1	1	Pump cover unit (Incl. 104, 105)
2	8421500800	1	1	1	1	1	Union
3	8501007000	1	1	1	1	1	Pump cover cap unit (3")
4	8501501800	2	2	2	2	2	Strainer cap
5	0062630280	2	2	2	2	2	Packing (strainer)
6	8501500200	1	1	1	1	1	Inducer
7	8501500400	1	1	1	1	1	Impeller
8	8421004000	1	1	1	1	1	Spiral casing compl. (Incl. 9)
9	8501500700	1	1	1	1	1	O-ring
10	8504502000	1	1	1	1	1	Union
11	8501002000	1	1	1	1	1	Strainer compl.
12	8981501700	1	1	1	1	1	O-ring
13	8421500700	1	1	1	1	1	Guide vane
14	8511001000	1	1	1	1	1	Mechanical seal unit
15	8421006000	1	1	1	1	1	Strainer compl.
16	8421500900	1	1	1	1	1	Spring pin
17	8422001000	1	1	1	1	1	Discharge valve unit (Incl. 18, 19, 21, 22, 79, 89, 86)
18	8502003000	1	1	1	1	1	Valve ass'y
19	8422500200	1	1	1	1	1	Spindle
20	8502500201	1	1	1	1	1	Stopper
21	8302500700	1	1	1	1	1	O-ring
22	8422004000	1	1	1	1	1	Handle ass'y
23	8424002000	1	1	1	1	1	Vacuum gauge pipe compl. (Incl. 24~26)
24	8504010000	1	1	1	1	1	Gauge connection ass'y
25	8504501500	4	4	4	4	4	Clip (B)
26	8424500000	1	1	1	1	1	Rubber pipe (B)
27	8424004000	1	1	1	1	1	Pressure gauge pipe ass'y (Incl. 25, 28)
28	8424500100	1	1	1	1	1	Rubber pipe (C)
29	8501043000	1	1	1	1	1	Nonreturn valve unit (Incl. 30)
30	8981502200	1	1	1	1	1	Valve
31	8424001000	1	1	1	1	1	Vacuum pipe
33	8504004000	1	1	1	1	1	Cooling water pipe (A) compl.
34	8504009000	1	1	1	1	1	Drain pipe compl.
35	8504501600	1	1	1	1	1	Joint (for cooling water)
36	8981003000	1	1	1	1	1	Drain cock unit
39	8423005000	1	1	1	1	1	Vacuum pump unit (Incl. 40~45, 79, 89, 101, 103)
40	8423006000	1	1	1	1	1	Vacuum pump body compl.
41	8503500500	1	1	1	1	1	Packing (VP cover)
42	8423500800	1	1	1	1	1	Vacuum pump rotor
43	8423500900	4	4	4	4	4	Blade
44	8423500700	1	1	1	1	1	Vacuum pump cover
45	8503502100	1	1	1	1	1	Adjusting screw
46	8423501800	1	1	1	1	1	Vinyl pipe (for exhaust gas)
47	8503009001	1	1	1	1	1	Belt cover fixture compl.
48	8423501600	1	1	1	1	1	Clip
49	8423501700	1	1	1	1	1	Pipe band
50	8423002000	1	1	1	1	1	Oil tank compl.
51	8423010000	1	1	1	1	1	Change over cock handle unit
52	8429501400	1	1	1	1	1	Label (Fuel cock)
53	8423501200	1	1	1	1	1	Plate spring
54	8423501900	1	1	1	1	1	Holder
55	0200 14997 0	1	1	1	1	1	Washer
56	8983500100	1	1	1	1	1	Spring
57	8983500000	1	1	1	1	1	Adjusting nut
58	8503502200	1	1	1	1	1	Rubber packing
59	8503500200	1	1	1	1	1	Oil tank cap
60	8423500400	1	1	1	1	1	Packing (oil tank)

PUMP BODY

KEY NO.	PART NO.	Q'TY					DESCRIPTION
		P407R	P408R	P503R	P508R	P509R	
61	8423501300	1	1	1	1	1	Union
62	6985502200	1	1	1	1	1	Clip
63	8303501600	1	1	1	1	1	Tension pulley
64	0600 10997 0	1	1	1	1	1	Ball bearing
65	8423009000	1	1	1	1	1	Tension arm compl.
66	8423501100	1	1	1	1	1	Spring
67	8503502000	1	1	1	1	1	Driven pulley
68	8503502700	1	1	1	1	1	V-belt (A-28)
69	8423007000	1	1	1	1	1	Belt cover ass'y
70	8429501500	1	1	1	1	1	Label (change over cock)
71	8423501000	1	1	1	1	1	Handle
73	8501501100	1	1	1	1	1	Plug
74	00113 0612 0	2	2	2	2	2	Bolt ass'y (M6 x 12)
75	00115 0825 0	8	8	8	8	8	Bolt ass'y (M8 x 25)
76	00118 0825 0	2	2	2	2	2	Bolt ass'y (M8 x 25)
77	00115 0610 0	1	1	1	1	1	Bolt ass'y (M6 x 10)
78	00115 0612 0	2	2	2	2	2	Bolt ass'y (M6 x 12)
79	00166 0616 0	7	7	7	7	7	Bolt (M6 x 16)
80	00224 1000 0	1	1	1	1	1	Nut (M10)
81	00228 0600 0	3	3	3	3	3	Nut (M6)
82	00228 0800 0	1	1	1	1	1	Nut (M8)
83	00228 1000 0	1	1	1	1	1	Nut (M10)
84	00311 0800 0	1	1	1	1	1	Washer (M8)
85	00311 1000 0	1	1	1	1	1	Washer (M10)
86	00312 0600 0	1	1	1	1	1	Washer (M6)
87	00313 0800 0	1	1	1	1	1	Clip
88	00314 3000 0	1	1	1	1	1	Snap ring (inner)
89	00320 0600 0	10	10	10	10	10	Spring washer (M6)
90	00320 1000 0	2	2	2	2	2	Spring washer (M10)
91	00315 2500 0	1	1	1	1	1	Snap ring (outer)
92	00371 0600 0	1	1	1	1	1	Gasket (fiber)
93	00371 1400 0	2	2	2	2	2	Gasket (fiber)
94	00371 1600 0	2	2	2	2	2	Gasket (fiber)
95	00371 2000 0	1	1	1	1	1	Gasket (fiber)
96	00371 2800 0	1	1	1	1	1	Gasket (fiber)
97	00431 0608 0	1	1	1	1	1	Screw
98	00437 0610 0	1	1	1	1	1	Screw ass'y
99	00510 2020 0	1	1	1	1	1	Cotter pin
100	00519 0636 0	1	1	1	1	1	Spring pin
101	00532 0420 0	1	1	1	1	1	Key
102	00626 2014 0	1	1	1	1	1	O-ring
103	00626 1025 0	1	1	1	1	1	O-ring



REPLACEMENT PARTS LIST

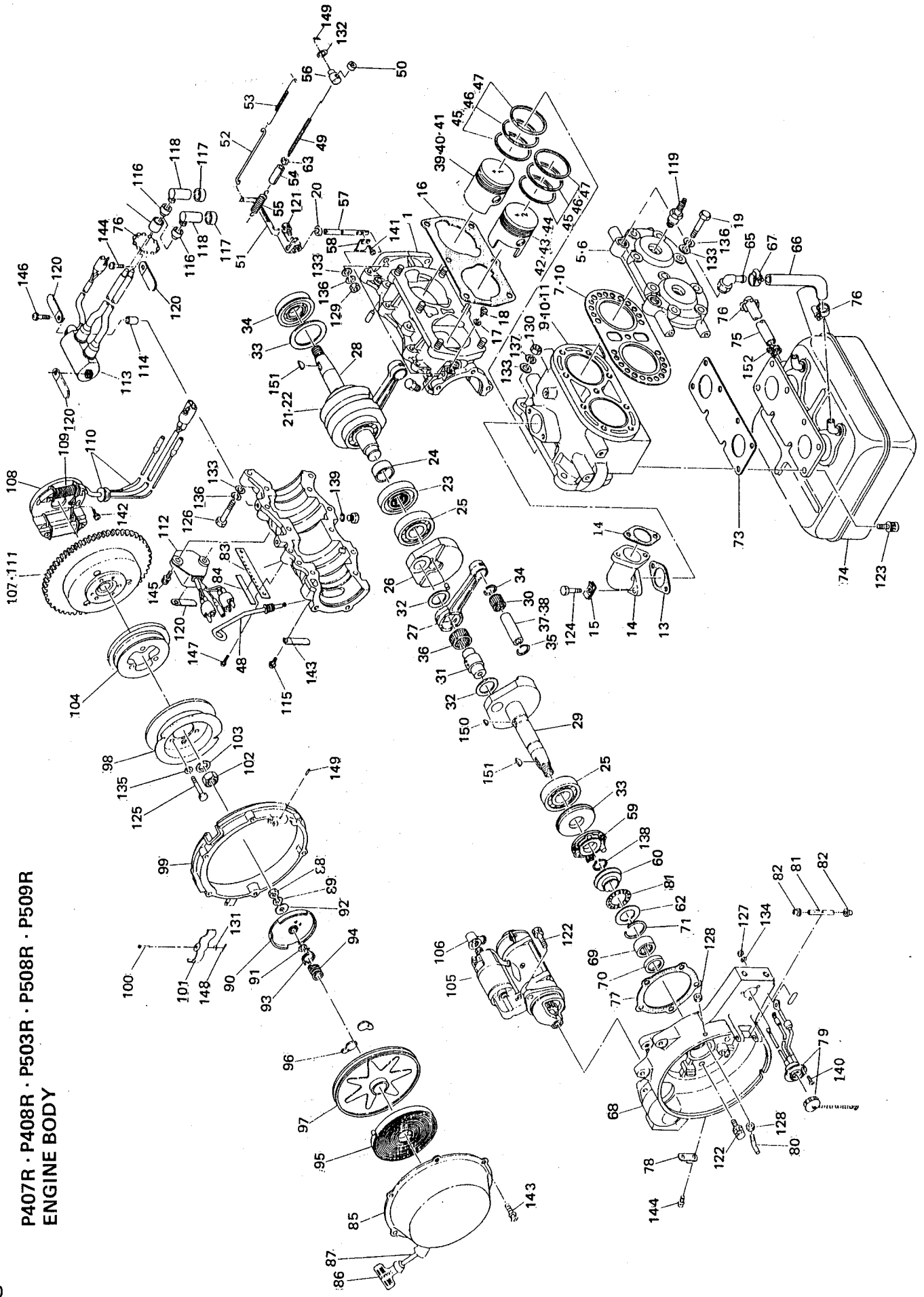
MACHINE BODY

KEY NO.	PART NO.	Q'TY					DESCRIPTION
		P407R	P408R	P503R	P508R	P509R	
1	8425005000	1	1				Instrument panel ass'y (M) (Incl. 6~9)
2	8505021000			1	1	1	Instrument panel ass'y (M) (Incl. 6~9)
5	8429500500			1	1	1	Label (switch S)
6	8429501100	1	1	1	1	1	Label (pump)
7	8429501600	2	2	2	2	2	Label (gauge cover)
8	8429500800	1	1	1	1	1	Label (gauge)
9	8429500900	1	1	1	1	1	Label (gauge)
10	8425019000	1	1	1	1	1	Hardware compl.
11	8425500800	2	2	2	2	2	Grommet (A)
12	8424500600	2	2	2	2	2	Cushion rubber
13	8424003000	1	1	1	1	1	Vacuum gauge unit
14	8424005000	1	1	1	1	1	Pressure gauge unit
15	8425502300	1	1	1	1	1	Panel light cover
16	8425500300	1	1	1	1	1	Light plate
17	8425502400	1	1	1	1	1	Rubber trimming (P)
18	8425018000	1	1	1	1	1	Light hardware compl.
19	8428015000	1	1	1	1	1	Mouth piece compl.
20	8425500400	1	1	1	1	1	Light holder
21	8508500000	1	1	1	1	1	Light
22	8425500000	1	1	1	1	1	Throttle dial
23	8044500800	1	1	1	1	1	Spring
24	8425014000	1	1	1	1	1	Panel vase (M) compl.
25	8425502000	1	1	1	1	1	Plate (L)
26	8425501900	1	1	1	1	1	Plate (R)
27	8425501100	6	6	6	6	6	Grommet (D)
28	8425500600	18	18	19	19	18	Spacer
29	8044001000	1	1	1	1	1	Throttle hoder compl.
30	8044500500	1	1	1	1	1	Spring pin
31	8044003000	1	1	1	1	1	Throttle shaft compl.
32	8425010000	1	1	1	1	1	Throttle wire compl.
33	8425008000	1	1	1	1	1	Tickler wire compl.
34	8425009000	1	1	1	1	1	Choke wire compl.
35	8425020000	1	1	1	1	1	Wire guide compl.
36	8044005000	1	1	1	1	1	Throttle arm compl.
37	8044500100	1	1	1	1	1	Throttle lover shaft
38	8044500900	1	1	1	1	1	Governor spring
39	8425011000	1	1	1	1	1	Mounting bracket (A) compl.
40	8425012000	1	1	1	1	1	Mounting bracket (B) compl.
41	8425502100	2	2	2	2	2	Stay
42	8425501500	1	1	1	1	1	Front cover
43	8419500300	1					Label (model)
44	8429500300		1				Label (mdoel)
45	8509501100			1			Label (model)
46	8519500200				1		Label (model)
47	8425501000	12	12	12	12	12	Grommet (C)
48	0200 08991 0	2	2	2	2	2	Wave washer
49	0230 06999 1	2	2	2	2	2	Spacer
50	0122 06999 2	2	2	2	2	2	Wing bolt
51	8426012000	1	1	1	1	1	Fuel tank mounting bracket compl.
52	8426500500	4	4	4	4	4	Cushion rubber
53	8425017000-1	1	1	1	1	1	Cleaner body compl.
54	8425501400-1	1	1	1	1	1	Main cover
55	8505500400	1	1	1	1	1	Plug cover
56	0430 72998 3	1	1	1	1	1	Fuel tank cap
57	0641399990	1	1	1	1	1	Fuel filter
58	8506500800	1	1	1	1	1	Rubber trimming
59	8426500800	1	1	1	1	1	Fuel pipe (A) (1M=800)
60	8426500900	1	1	1	1	1	Fuel pipe (B)
61	0561 13997 1	4	4	4	4	4	Hose clamp
62	8425500500	2	2	2	2	2	Spacer
63	8425500900	2	2	2	2	2	Grommet (B)
64	8426014000	1	1	1	1	1	Fuel tank unit (Incl. 66~68)

MACHINE BODY

KEY NO.	PART NO.	Q'TY					DESCRIPTION
		P407R	P408R	P503R	P508R	P509R	
66	8429503900	1	1	1	1	1	Label (instruction)
67	0851129970	1	1	1	1	1	Fuel gauge pipe (1M=300)
68	0561 08001 0	2	2	2	2	2	Hose clamp
69	0400 10998 1	1	1	1	1	1	Plug
70	8426006000	1	1	1	1	1	Fuel cock unit (Incl. 71, 82)
71	8426006010	1	1	1	1	1	Packing (L)
72	8426006020	1	1	1	1	1	Cup (L)
73	8427001000	1	1	1	1	1	Frame (L) compl.
74	8427003000	1	1	1	1	1	Frame (R) compl.
75	8507007000	2	2	2	2	2	Band compl.
76	8508020000	1	1	1	1	1	Rubber band compl.
77	8987001000	4	4	4	4	4	Handle compl.
78	8507500200	4	4	4	4	4	Handle shaft
79	8507500001	4	4	4	4	4	Bracket (handle)
80	8507500300	4	4	4	4	4	Pin
81	8987500400	2	2	2	2	2	Handle boss (A)
82	8987500000	2	2	2	2	2	Handle boss (B)
83	8987500100	4	4	4	4	4	Grip
84	0299 25999 1	4	4	4	4	4	Vibration preventive rubber
85	8426500100	1	1	1	1	1	Rubber trimming
86	8426500200	1	1	1	1	1	Rubber trimming
87	8426500300	1	1	1	1	1	Rubber trimming
88	8558501300	1	1	1	1	1	Clamp
89	8428004000	1	1	1	1	1	Main switch (S) compl. (Incl. 90, 126)
90	8428500300	1	1	1	1	1	Switch lever
92	8428014000	1	1	1	1	1	Fuse box unit (Incl. 130)
93	8428007000	1	1	1	1	1	Lead wire (A) compl. (+) (Incl. 95)
94	8428008000	1	1	1	1	1	Lead wire (B) compl. (-) (Incl. 95)
96	00113 0614 0	4	4	4	4	4	Bolt ass'y (M6 x 14)
97	00114 1058 0	8	8	8	8	8	Bolt ass'y (M10 x 58)
98	00115 0612 0	2	2	2	2	2	Bolt ass'y (M6 x 12)
99	00115 0818 0	4	4	4	4	4	Bolt ass'y (M8 x 18)
100	00118 0620 0	4	4	4	4	4	Bolt ass'y (M6 x 20)
101	00166 0614 0	2	2	2	2	2	Bolt (M6 x 14)
102	00166 0620 0	1	1	1	1	1	Bolt (M6 x 20)
103	00218 0300 0	2	2	2	2	2	Nut (M3)
104	00218 0400 0	16	16	16	16	16	Nut (M4)
105	00310 0400 0	8	8	8	8	8	Washer (M4)
106	00310 0600 0	1	1	1	1	1	Washer (M6)
107	00310 0800 0	4	4	4	4	4	Washer (M8)
108	00310 1200 0	4	4	4	4	4	Washer (M12)
109	00312 0400 0	4	4	4	4	4	Washer (M4)
110	00312 0600 0	2	2	2	2	2	Washer (M6)
111	00312 0600 3	3	3	3	3	3	Washer (M6)
112	00310 2000 0	1	1	1	1	1	Washer (M20)
113	00320 0600 0	5	5	5	5	5	Spring washer (M6)
114	00338 0600 0	1	1	1	1	1	Lock washer
115	00371 1000 0	1	1	1	1	1	Gasket (fiber)
116	00410 0416 0	8	8	8	8	8	Screw (M4 x 16)
117	00422 0620 3	1	1	1	1	1	Screw ass'y
118	00435 0410 0	4	4	4	4	4	Screw ass'y (M4 x 10)
119	00435 0614 3	3	3	3	3	3	Screw ass'y (M6 x 14)
120	00437 0308 0	2	2	2	2	2	Screw ass'y (M3 x 8)
121	00437 0425 1	2	2	2	2	2	Screw ass'y (M4 x 25)
122	00437 0512 0	5	5	5	5	5	Screw ass'y (M5 x 12)
123	00437 0614 0	1	1	1	1	1	Screw ass'y (M6 x 14)
124	00437 0620 0	13	13	13	13	13	Screw ass'y (M6 x 12)
125	00437 0625 0	2	2	2	2	2	Screw ass'y (M6 x 25)
126	00411 0310 0	1	1	1	1	1	Screw (M3 x 10)
127	00510 3020 0	4	4	4	4	4	Cotter pin
128	00519 0612 2	4	4	4	4	4	Spring pin
129	00519 0420 0	1	1	1	1	1	Spring pin
130	00802 1030 0	1	1	1	1	1	Fuse (10A)

P407R · P408R · P503R · P508R · P509R
ENGINE BODY



REPLACEMENT PARTS LIST

ENGINE BODY

KEY NO.	PART NO.	Q'TY					DESCRIPTION
		P407R	P408R	P503R	P508R	P509R	
1	8031009000	1	1	1	1	1	Crank case compl. (Incl. 2~4, 126, 132, 136)
2	8031502200	1	1	1	1	1	Brpather
3	8031502000	6	6	6	6	6	Stud
4	0400 10998 1	3	3	3	3	3	Plug
5	8031500001	1	1	1			Cylinder head
6	8051500001				1	1	Cylinder head
7	8041005000	1	1	1			Gasket (cylinder head) ass'y
8	8051003000				1	1	Gasket (cylinder head) ass'y
9	8021001000	1					Cylinder ass'y
10	8031002000		1	1			Cylinder ass'y
11	8051500100				1	1	Cylinder
12	8033500100	1	1	1	1	1	Packing (for carburetor)
13	8033009000	1	1	1	1	1	Packing (for air inlet pipe)
14	8033500300	1	1	1	1	1	Air inlet pipe
15	8033005000	2	2	2	2	2	Lock washer compl.
16	8031501800	1	1	1	1	1	Packing (for crank case)
17	0200 06996 0	1	1	1	1	1	Washer
18	0147 06999 1	1	1	1	1	1	Screw
19	00167 1048 0	1	1	1	1	1	Bolt
20	8031501000	1	1	1	1	1	Oil seal
21	8032004000	1	1	1	1	1	Crankshaft compl. (Incl. 22~26)
22	8032005000	1	1	1	1	1	Crank shaft (center) ass'y (Incl. 23~26)
23	8032501300	1	1	1	1	1	Labyrinth
24	8032501600	1	1	1	1	1	Spacer (crankshaft)
25	8032500900	4	4	4	4	4	Ball bearing
26	8032500700	2	2	2	2	2	Crank web
27	8032500300	2	2	2	2	2	Rod connecting
28	8032500400	1	1	1	1	1	Crankshaft (front)
29	8032500500	1	1	1	1	1	Crankshaft (rear)
30	8032501700	2	2	2	2	2	Needle bearing
31	8032500800	2	2	2	2	2	Crank pin
32	8032501900	4	4	4	4	4	Washer (big end)
33	8052500200	2	2	2	2	2	Oil seal
34	8031501700	1	1	1	1	1	Stopper ring
35	8982500600	4	4	4	4	4	Clip
36	8032501800	2	2	2	2	2	Needle bearing
37	8972500000	2					Piston pin
38	8032500000		2	2	2	2	Piston pin
39	8022002000	1					Piston #1 compl.
40	8032002000		1	1			Piston #1 compl.
41	8052002000				1	1	Piston #1 compl.
42	8022003000	1					Piston #2 compl.
43	8032003000		1	1			Piston #2 compl.
44	8052003000				1	1	Piston #2 compl.
45	8022001000	2					Piston ring set
46	8032001000		2	2			Piston ring set
47	8052001000				2	2	Piston ring set
48	8041001000	1	1	1	1	1	Oil checking rod compl.
49	8034500800	1	1	1	1	1	Adjusting screw shaft
50	8974500000	1	1	1	1	1	Adjusting screw
51	8044002000	1	1	1	1	1	Governor lever compl.
52	8044500300	1	1	1	1	1	Governor connecting rod
53	8044500400	1	1	1	1	1	Connecting spring
54	8034501000	1	1	1	1	1	Governor pipe
55	8974500600	1	1	1	1	1	Governor spring
56	8044500200	1	1	1	1	1	Adjusting screw setting hardware
57	8034500300	1	1	1	1	1	Lever shaft
58	5984500500	1	1	1	1	1	Governor contact point
59	8034005000	1	1	1	1	1	Flywheel mounting bracket compl.
60	8034500400	1	1	1	1	1	Spreader
61	8032501000	1	1	1	1	1	Thrust bearing

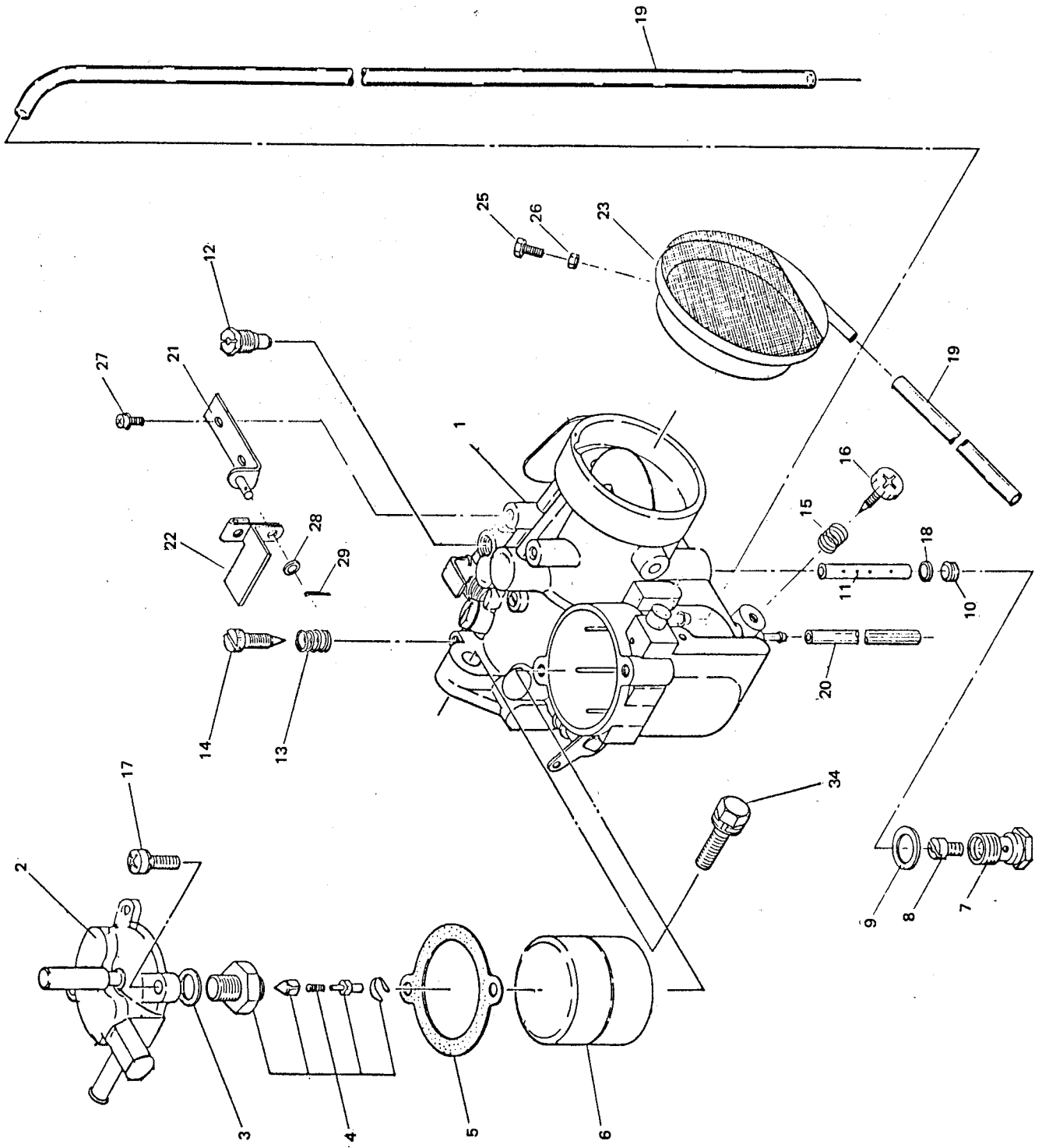
ENGINE BODY

KEY NO.	PART NO.	Q'TY					DESCRIPTION
		P407R	P408R	P503R	P508R	P509R	
62	8032501100	1	1	1	1	1	Thrust washer
63	8989502300	1	1	1	1	1	Nut (lock)
65	8504501000	2	2	2	2	2	Cooling water joint compl.
66	8504501100	2	2	2	2	2	Rubber pipe (A)
67	8504501400	4	4	4	4	4	Clip (A)
68	8041002000	1	1	1	1	1	Stator mounting bracket compl. (Incl. 69~71)
69	8031500800	1	1	1	1	1	Needle bearing
70	8031500900	1	1	1	1	1	Oil seal
71	8031501100	1	1	1	1	1	Circlip
72	8559501900	1	1	1	1	1	Label (consent)
73	8033500000	1	1	1	1	1	Gasket (for muffler)
74	8043001000	1	1	1	1	1	Muffler compl.
75	8983500200	1	1	1	1	1	Drain pipe
76	6985502200	1	1	1	1	1	Clip
77	8031501900	1	1	1	1	1	Packing (for stator mounting bracket)
78	8031501600	1	1	1	1	1	Stopper metal
79	8428005001	1	1	1	1	1	Receptacle compl.
80	8041500500	1	1	1	1	1	Belt pressor
81	8041500300	1	1	1	1	1	Pin
82	8041500400	2	2	2	2	2	Spacer
83	8508501500	1	1	1	1	1	Terminal plate (-)
84	8509502100	1	1	1	1	1	Label (terminal plate) (-)
85	8047001000	1	1	1	1	1	Recoil starter compl. (Incl. 86~98)
86	8047001210	1	1	1	1	1	Starter knob compl.
87	8047001160	1	1	1	1	1	Starter rope
88	8047001140	1	1	1	1	1	Hexagon nut
89	8047001130	1	1	1	1	1	Spring washer
90	8047001120	1	1	1	1	1	Friction plate
91	8047001110	1	1	1	1	1	Thrust washer B
92	8047001060	1	1	1	1	1	Thrust washer
93	8047001050	1	1	1	1	1	Return spring
94	8047001040	1	1	1	1	1	Friction spring
95	8047001030	1	1	1	1	1	Spiral spring
96	8047001020	2	2	2	2	2	Ratchet
97	8047001010	1	1	1	1	1	Reel compl.
98	8047001220	1	1	1	1	1	Pulley compl.
99	8041500200	1	1	1	1	1	Starter cover receiver tube
100	8031501400	1	1	1	1	1	Pin (for hook)
101	8031007000	1	1	1	1	1	Hook ass'y
102	8032501400	1	1	1	1	1	Nut (left)
103	8032501500	1	1	1	1	1	Spring washer (left)
104	8042500000	1	1	1	1	1	Drive pulley
105	8047002000	1	1	1	1	1	Starter unit
106	8428500200	1	1	1	1	1	Terminal cap (rubber)
107	8037001000	1	1	1	1	1	Flywheel magneto unit
108	8037007000	1	1	1	1	1	Plate ass'y (Incl. 108~111)
109	8037008000	1	1	1	1	1	Lamp coil
110	8037009000	1	1	1	1	1	Wire harness
111	8037010000	1	1	1	1	1	Flywheel
112	8037005000	1	1	1	1	1	CDI unit
113	8037006000	1	1	1	1	1	Ignition coil
114	8031502100	2	2	2	2	2	Spacer
115	0566 07997 0	2	2	2	2	2	Clamp
116	8037500600	2	2	2	2	2	Cap (rubber)
117	8037500700	2	2	2	2	2	Cap (rubber)
118	0655 00999 0	2	2	2	2	2	Spark plug cap
119	0650 14995 2	2	2	2	2	2	Spark plug (NGKB7HS)
120	8558501100	4	4	4	4	4	Clip
121	00114 0620 0	1	1	1	1	1	Bolt ass'y (M6 x 20)
122	00114 0825 0	7	7	7	7	7	Bolt ass'y (M8 x 25)
123	00115 0825 0	8	8	8	8	8	Bolt ass'y (M8 x 25)

ENGINE BODY

KEY NO.	PART NO.	Q'TY					DESCRIPTION
		P407R	P408R	P503R	P508R	P509R	
124	00166 0822 0	2	2	2	2	2	Bolt (M8 x 22)
125	00167 0640 0	3	3	3	3	3	Bolt (M6 x 20)
126	00167 0850 0	12	12	12	12	12	Bolt (M8 x 50)
127	00217 0300 0	3	3	3	3	3	Nut (M3)
128	00218 0600 0	2	2	2	2	2	Nut (M6)
129	00218 0800 0	4	4	4	4	4	Nut (M8)
130	00218 1000 0	6	6	6	6	6	Nut (M10)
131	00310 0300 0	1	1	1	1	1	Washer (M3)
132	00310 0800 0	16	16	16	16	16	Washer (M8)
133	00310 1000 0	15	15	15	15	15	Washer (M10)
134	00320 0300 0	3	3	3	3	3	Spring washer (M3)
135	00320 0600 0	3	3	3	3	3	Spring washer (M6)
136	00320 0800 0	16	16	16	16	16	Spring washer (M8)
137	00320 1000 0	15	15	15	15	15	Spring washer (M10)
138	00315 2800 0	1	1	1	1	1	Snap ring (outer)
139	00371 1000 0	3	3	3	3	3	Gasket (fiber)
140	00411 0316 0	3	3	3	3	3	Screw (M3 x 6)
141	00435 0408 0	2	2	2	2	2	Screw ass'y (M4 x 8)
142	00435 0516 0	2	2	2	2	2	Screw ass'y (M5 x 18)
143	00435 0612 0	6	6	6	6	6	Screw ass'y (M6 x 12)
144	00435 0614 0	2	2	2	2	2	Screw ass'y (M6 x 14)
145	00437 0620 0	2	2	2	2	2	Screw ass'y (M6 x 20)
146	00431 0640 0	2	2	2	2	2	Screw ass'y (M6 x 40)
147	00437 0310 0	6	6	6	6	6	Screw ass'y (M3 x 10)
148	00510 1208 0	1	1	1	1	1	Cotter pin
149	00510 2015 0	1	1	1	1	1	Cotter pin
150	00532 0310 1	1	1	1	1	1	Key
151	00532 0540 1	2	2	2	2	2	Key
152	00917 1800 0	1	1	1	1	1	Hose clamp

P407R · P408R · P503R · P508R · P509R
CARBURETOR · AIR CLEANER

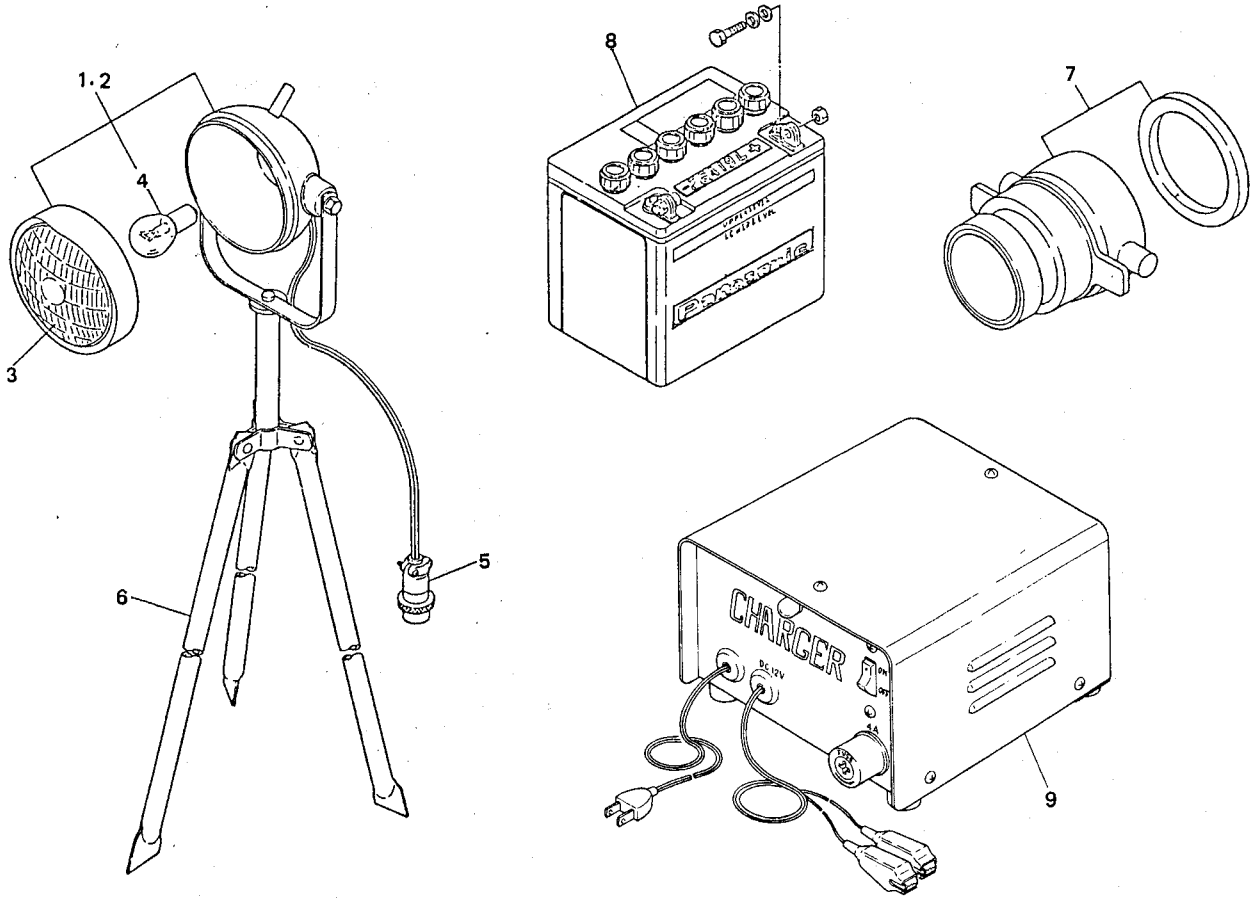


REPLACEMENT PARTS LIST

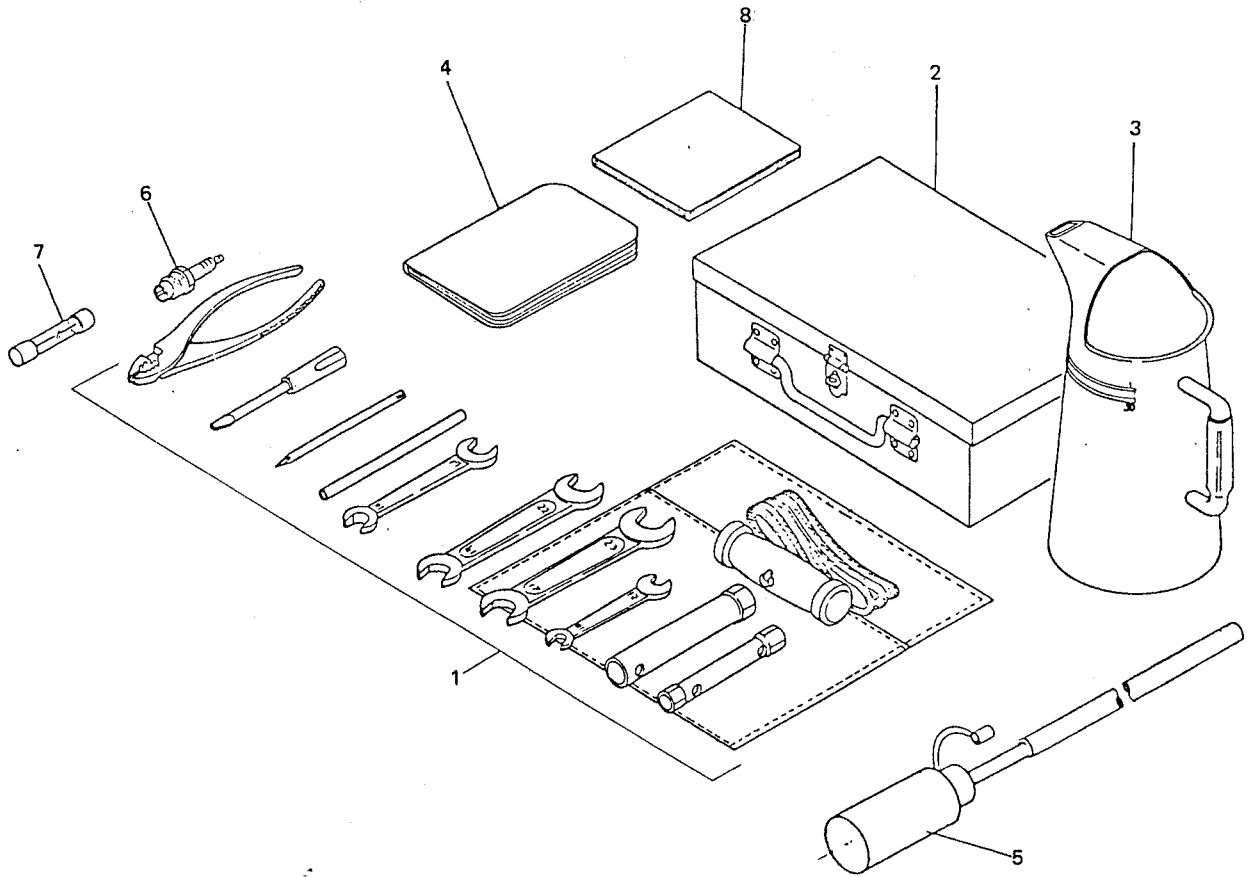
CARBURETOR-AIR CLEANER

KEY NO.	PART NO.	Q'TY					DESCRIPTION
		P407R	P408R	P503R	P508R	P509R	
1	8046004000	1	1	1	1	1	Carburetor unit (Incl. 2~18)
2	8046001140	1	1	1	1	1	Cover float chamber ass'y
3	8046001430	1	1	1	1	1	Packing
4	8046001630	1	1	1	1	1	Needle valve ass'y
5	8046001150	1	1	1	1	1	Gasket
6	8046001620	1	1	1	1	1	Float ass'y
7	8046001210	1	1	1	1	1	Main jet holder
8	8046004110	1	1	1	1	1	Reverse main jet
9	8046001560	1	1	1	1	1	Washer
10	8046001220	1	1	1	1	1	Screw
11	8046001720	1	1	1	1	1	Main nozzle ass'y
12	8016001130	1	1	1	1	1	Pilot jet
13	8046001230	1	1	1	1	1	Spring
14	8046001610	1	1	1	1	1	Adjuster
15	8046001320	1	1	1	1	1	Spring
16	8046001310	1	1	1	1	1	Screw
17	8046001530	4	4	4	4	4	Spring washer crossscrew
18	8046001160	1	1	1	1	1	Main nozzle packing
19	8036500100	2	2	2	2	2	Overflow pipe
20	8046500100	1	1	1	1	1	Drain pipe
21	8044006000	1	1	1	1	1	Arm guide compl.
22	8044004000	1	1	1	1	1	Tickler arm compl.
23	8033006000	1	1	1	1	1	Air cleaner cap compl.
24	00114 0625 0	2	2	2	2	2	Bolt ass'y (M6 x 25)
25	00170 0516 0	1	1	1	1	1	Bolt (cross recess) (M5 x 16)
26	00218 0500 0	1	1	1	1	1	Nut (M5)
27	00437 0408 0	2	2	2	2	2	Screw ass'y (M4 x 8)
28	00310 0600 0	1	1	1	1	1	Washer
29	00510 1612 0	1	1	1	1	1	Cotter pin

P407R · P408R · P503R · P508R · P509R
STANDARD ACCESSORIES



P407R · P408R · P503R · P508R · P509R
ACCESSORIES



REPLACEMENT PARTS LIST

STANDARD ACCESSORIES

KEY NO.	PART NO.	Q'TY					DESCRIPTION
		P407R	P408R	P503R	P508R	P509R	
1	8429003001	1	1	1	1	1	Searchlight unit (Incl. 2~6)
2	8429009000	1	1	1	1	1	Floodlight
3	8429503600	1	1	1	1	1	Front glass
4	8429003031	1	1	1	1	1	Bulb
5	8429002011	1	1	1	1	1	Plug
6	8989502600	1	1	1	1	1	Tripod
7	8989003000	1	1	1	1	1	Joint
8	0651249996	1	1	1	1	1	Battery
9	0651249983	1	1	1	1	1	Battery charge

ACCESSORIES

KEY NO.	PART NO.	Q'TY					DESCRIPTION
		P407R	P408R	P503R	P508R	P509R	
1	8429001000	1	1	1	1	1	Disassembly tools kit
2	0701309991	1	1	1	1	1	Tool box
3	8989501900	1	1	1	1	1	Fuel mixer
4	8429004000	1	1	1	1	1	Pump cover
5	8429005000	1	1	1	1	1	Funnel compl.
6	0650 14995 2	2	2	2	2	2	Spark plug (NGKB7HS)
7	00802 1030 0	1	1	1	1	1	Fuse (10A)
8	8429502201	1	1	1	1	1	Instruction manual